

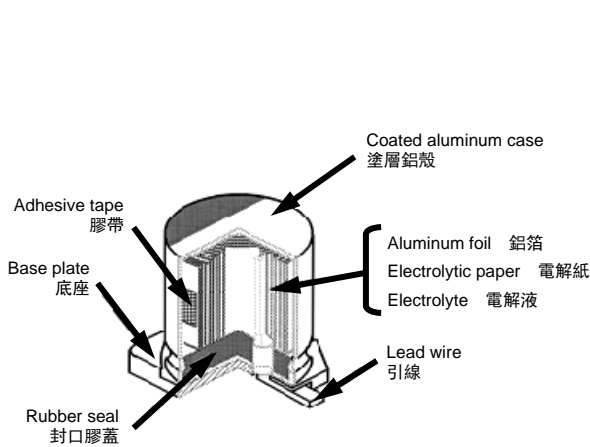
BASIC CONSTRUCTION OF ALUMINUM ELECTROLYTIC CAPACITORS

鋁電解電容器的基本結構

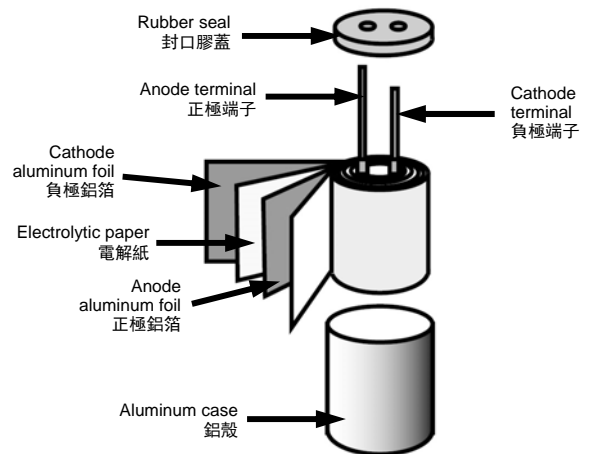
The aluminum electrolytic capacitors contains an internal element of an anode foil, a cathode foil and electrolytic paper rolled together, impregnated with an electrolyte, then attached to external terminals connecting the tabs with the anode or the cathode foils, and sealed in a can case.

鋁電解電容器是由正極與負極鋁箔鉚上正極與負極端子，再和電解紙一起捲繞成芯子，浸漬電解液後用鋁殼封裝而成。

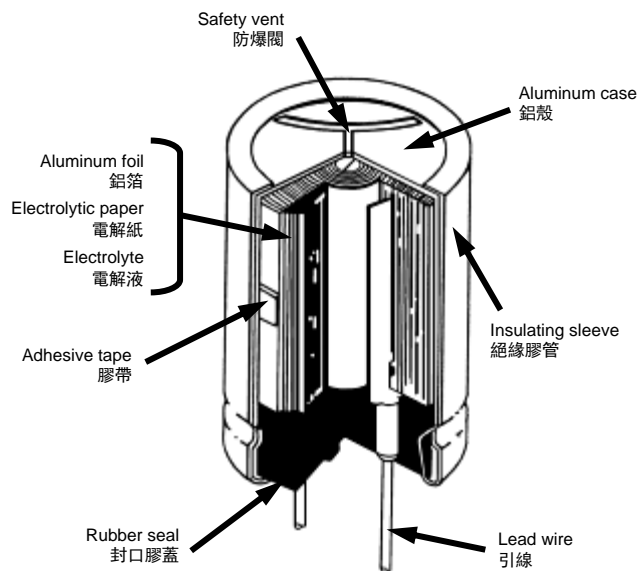
● Internal Structure 內部結構



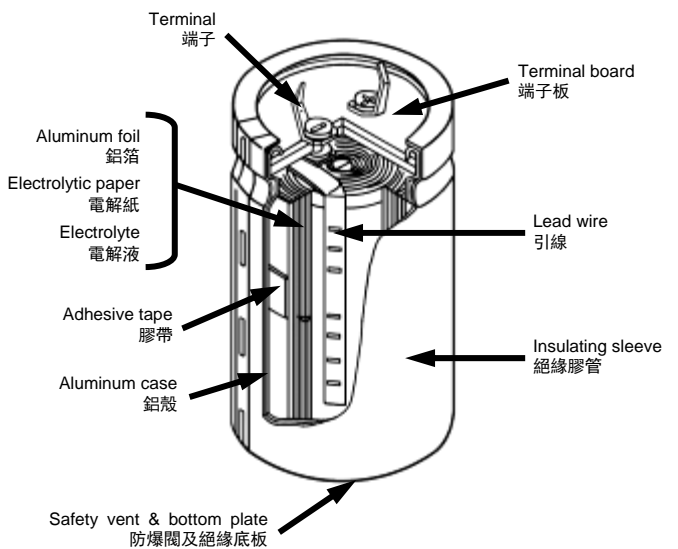
(Chip type 貼片式)



(Basic construction 基本結構)



(Radial lead type 引線式)



(Snap-in terminal type 導箔式)

Note: All design and specifications are for reference only and is subject to change without prior notice. If any doubt about safety for your application, please contact us immediately for technical assistance before purchase.

注：以上所提供的設計及特性參數僅供參考，任何修改不作預先通知。如果在使用上有疑問，請在採購前與我們聯繫，以便提供技術上的協助。