
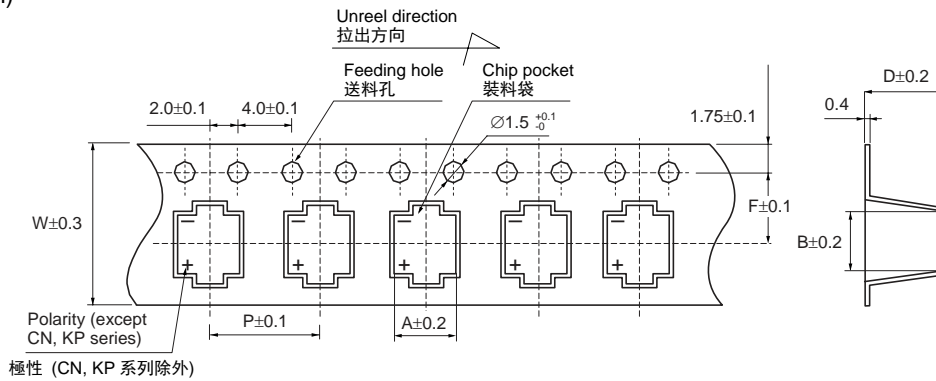


TAPING & PACKAGING SPECIFICATIONS 編帶與包裝標準

□ For Chip Type Capacitors 適用於貼片式電容器 

■ Carrier Tape Dimensions 載帶尺寸

● $\varnothing 4 \sim \varnothing 10$ (mm)

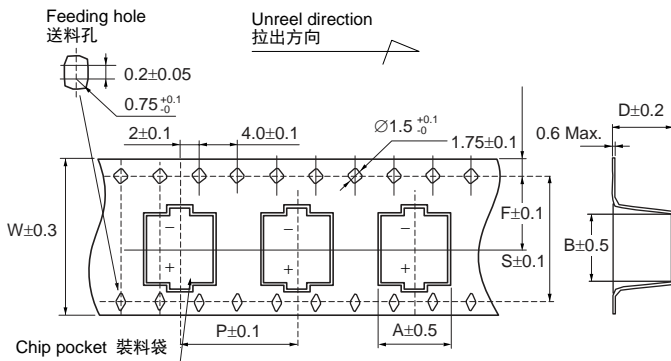


Dimension 尺寸表

(Unit: mm)

$\varnothing D \times L$	4×5.4/5.8	5×5.5.4/8/9	6.3×5.4/6.5	6.3×7.7/9	6.3×10.5/11.5	8×6/6.7/7	8×7.7/8/9	8×10.5/12/12.5	10×8/10/10.5	10×12.7/13.5
W	12.0	12.0	16.0	16.0	16.0	24.0	24.0	24.0	24.0	24.0
P	8.0	12.0	12.0	12.0	12.0	12.0	12.0	16.0	16.0	16.0
F	5.5	5.5	7.5	7.5	7.5	11.5	11.5	11.5	11.5	11.5
A	5.0	6.0	7.0	7.0	7.0	8.7	8.7	8.7	10.7	10.7
B	5.0	6.0	7.0	7.0	7.0	8.7	8.7	8.7	10.7	10.7
D	5.9/5.9	5.9/5.9/8.1/9.2	5.9/6.9	8.2/9.9	11.0/12.5	6.8/6.8/7.5	8.2/8.2/9.9	11.0/12.5/13.0	8.4/11.0/11.0	13.0/13.0

● $\varnothing 12.5 \sim \varnothing 18$ (mm)

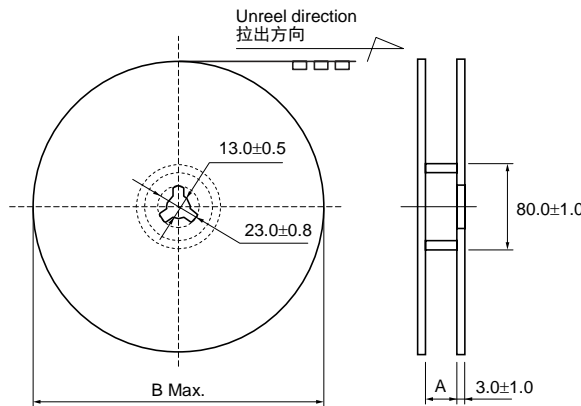


Dimension 尺寸表

(Unit: mm)

$\varnothing D \times L$	12.5×13.5	12.5×16	16×16.5	18×16.5, 18.5
W	32.0	32.0	44.0	44.0
P	24.0	24.0	28.0	32.0
F	14.2	14.2	20.2	20.2
A	14.0	14.0	17.5	19.5
B	14.0	14.0	17.5	19.5
D	14.0	17.5	17.5	17.5/20.5
S	28.4	28.4	40.4	40.4

■ Reel Dimensions 卷盤尺寸



(Unit: mm)

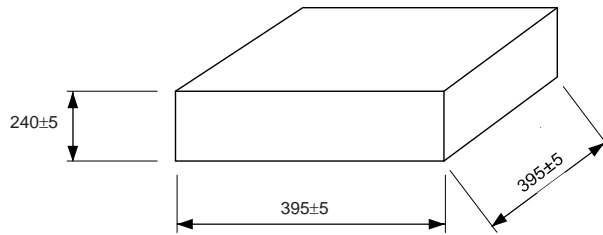
$\varnothing D$	$\varnothing 4, \varnothing 5$	$\varnothing 6.3$	$\varnothing 8, \varnothing 10$	$\varnothing 12.5$	$\varnothing 16, \varnothing 18$
A±1.0	14	17	25.5	34.5	44
B (Max.)	382	382	382	382	382

Note: All design and specifications are for reference only and is subject to change without prior notice. If any doubt about safety for your application, please contact us immediately for technical assistance before purchase.

注：以上所提供的設計及特性參數僅供參考，任何修改不作預先通知。如果在使用上有疑問，請在採購前與我們聯繫，以便提供技術上的協助。

CAT.2019/V4

■ Packaging Box 包裝箱



■ Packaging Quantity 包裝數量

□ For Chip Type Aluminum Electrolytic Capacitors 適用於貼片式鋁電解電容器

Case Size ∅D × L (mm) 尺寸	Quantity/Reel (pcs) 數量/卷 (個)	Reels/Box 卷盤/箱	Quantity/Carton (pcs) 數量/外箱 (個)
4 × 5.4, 5.8	2,000*	12	24,000
5 × 5.4, 5.8	1,000*	12	12,000
6.3 × 5.4, 5.8, 7.7	1,000*	10	10,000
6.3 × 10.5	750*	10	7,500
6.3 × 11.5	500*	10	5,000
8 × 6.2	1,000*	10	10,000
8 × 10.5, 12.5	500*	7	3,500
10 × 10.5, 13.5	500*	7	3,500
12.5 × 13.5	250*	6	1,500
12.5 × 16	200*	6	1,200
16 × 16.5	125*	4	500
18 × 16.5, 18.5	100*	4	400

□ For Chip Type Conductive Polymer Aluminum Solid Electrolytic Capacitors & Chip Type Conductive Polymer Hybrid Aluminum Electrolytic Capacitors
適用於貼片式導電性高分子固態鋁電解電容器及貼片式導電性高分子混合型鋁電解電容器

Case Size ∅D × L (mm) 尺寸	Quantity/Reel (pcs) 數量/卷 (個)	Reels/Box 卷盤/箱	Quantity/Carton (pcs) 數量/外箱 (個)
4 × 5.5	2,000*	12	24,000
5 × 5.5~8	1,000*	12	12,000
5 × 9	750*	12	9,000
6.3 × 5.5~8	1,000*	10	10,000
6.3 × 9~9.5	750*	10	7,500
8 × 6.7~7.7	1,000*	7	7,000
8 × 8~12	500*	7	3,500
10 × 8~13	500*	7	3,500

* Minimum package quantity *最小包裝數量

- There are some differences between actual package quantity and above list. Please confirm before you order.
- Please order by minimum package quantity.
- 以上包裝標準可能會與實際的包裝數量有所不同，請在訂購前確認。
- 請以最小包裝數量訂購。

Note: All design and specifications are for reference only and is subject to change without prior notice. If any doubt about safety for your application, please contact us immediately for technical assistance before purchase.

注: 以上所提供的設計及特性參數僅供參考，任何修改不作預先通知。如果在使用上有疑問，請在採購前與我們聯繫，以便提供技術上的協助。

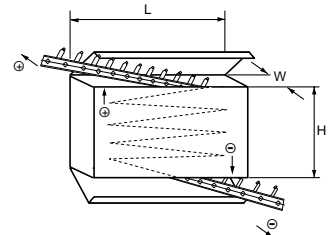
CAT.2019/V4

PACKAGING SPECIFICATIONS 包裝標準

■ Taping Type (Ammo pack) 編帶品 (折疊式包裝)

☐ For Aluminum Electrolytic Capacitors 適用於鋁電解電容器

Type 類型	Diameter (mm) 直徑	In-box Size 內盒尺寸			Quantity/In-box (pcs) 數量/內盒 (個)	Quantity/ Carton (pcs) 數量/箱 (個)
		L (mm)	H (mm)	W (mm)		
Radial Lead Type 直插式	∅3	337	234	50	2,500*	25,000
	∅4	337	234	50	2,500*	25,000
	∅5	337	234	50	2,000*	20,000
	∅6.3	325	290	55	2,000*	10,000
	∅8	337	234	50	1,000*	10,000
	∅10	327	182	60	500*	4,000
	∅13	340	305	65	500*	2,000
	∅16 (25L)	340	320	65	300*	1,200
∅18 (25L)	340	320	65	250*	1,000	



☐ For Conductive Polymer Aluminum Solid Electrolytic Capacitors & Conductive Polymer Hybrid Aluminum Electrolytic Capacitors
適用於導電性高分子固態鋁電解電容器及導電性高分子混合型鋁電解電容器

Radial Lead Type 直插式	∅4	337	234	50	2,500*	25,000
	∅5	337	234	50	2,000*	20,000
	∅6.3	325	290	55	2,000*	10,000
	∅8	337	234	50	1,000*	10,000
	∅10	327	182	60	500*	4,000

■ Bulk Type 散裝品

☐ For Aluminum Electrolytic Capacitors 適用於鋁電解電容器

Type 類型	Case Size ∅D×L (mm) 尺寸	Vinyl Bag Quantity 膠袋數量		Small Box Quantity 內箱數量				Carton Box Quantity 外箱數量		Small Box Size 內箱尺寸			Carton Box Size 外箱尺寸			
		pcs/Bag 個/膠袋	Lead Cutting/Forming 剪腳/成型	Vinyl Bag/Small Box 膠袋/內箱		pcs/Small Box 個/內箱		Small Box/ Carton Box 內箱/外箱	pcs/Carton Box 個/外箱		L (mm)	H (mm)	W (mm)	L (mm)	H (mm)	W (mm)
				Long Lead 長腳	Lead Cutting/Forming 剪腳/成型	Long Lead 長腳	Lead Cutting/Forming 剪腳/成型		Long Lead 長腳	Lead Cutting/Forming 剪腳/成型						
Radial Lead Type 直插式	3 × 5	1,000*	—	50	—	50,000	2	100,000	300	290	220	470	310	310		
	4 × 5, 7	1,000*	—	25	—	25,000		50,000								
	5 × 5, 7	1,000*	—	25	—	25,000		50,000								
	5 × 11	1,000*	—	20	—	20,000		40,000								
	6.3 × 5	1,000*	—	25	—	25,000		50,000								
	6.3 × 7	1,000*	—	20	—	20,000		40,000								
	6.3 × 11.5	500*	—	30	—	15,000		30,000								
	8 × 5-11.5	500*	—	20	—	10,000		20,000								
	8 × 13-16	250*	—	30	—	7,500		15,000								
	8 × 20	250*	—	24	—	6,000		12,000								
	10 × 12-17	200*	—	25	—	5,000		10,000								
	10 × 20	200*	—	20	—	4,000		8,000								
	10 × 25-30	100*	—	25	—	2,500		5,000								
	13 × 17-21	100*	—	25	—	2,500		5,000								
	13 × 25	100*	—	20	—	2,000		4,000								
13 × 30, 35	50*	—	30	—	1,500	3,000										
Snap-in Terminal Type 插接式	22 × 25-40	—	—	—	—	500*	3	1,500	350	75	415	370	250	435		
	18 × 20-31	—	—	—	—	250*	4	1,000	340	65	305	355	280	315		
	18 × 35-40	—	—	—	—	250*		1,000	340	87	305	355	370	320		
	22 × 25-40	—	—	—	—	180*		720								
	25 × 25-40	—	—	—	—	143*		572								
	Snap-in Terminal Type 插接式	22 × 25-40	—	—	—	—	156*	4	624	340	305	65	355	315	280	
		25 × 25-40	—	—	—	—	132*		528							
		30 × 25-40	—	—	—	—	90*		360							
		35 × 25-40	—	—	—	—	72*		288							
		22 × 45-75	—	—	—	—	156*	3	468	340	305	87	355	315	280	
		25 × 45-75	—	—	—	—	132*		396							
		30 × 45-75	—	—	—	—	90*		270							
35 × 45-75	—	—	—	—	72*	216										

☐ For Conductive Polymer Aluminum Solid Electrolytic Capacitors & Conductive Polymer Hybrid Aluminum Electrolytic Capacitors 適用於導電性高分子固態鋁電解電容器及導電性高分子混合型鋁電解電容器

Radial Lead Type 直插式	5 × 7-12	1,000*	1,000*	8	16	8,000	16,000	4	32,000	64,000	310	140	200	420	220	295
	6.3 × 6-9	1,000*	1,000*	8	8	8,000	8,000		32,000	32,000						
	6.3 × 10.5-12	500*	1,000*	8	8	4,000	8,000		16,000	32,000						
	8 × 7-9	500*	1,000*	8	8	4,000	8,000		16,000	32,000						
	8 × 11-16	500*	500*	8	8	4,000	4,000		16,000	16,000						
	10 × 8-13	250*	500*	8	8	2,000	4,000		8,000	16,000						
10 × 16-21	200*	400*	8	8	1,600	3,200	6,400	12,800								

* Minimum package quantity *最小包裝數量

- There are some differences between actual package quantity and above list. Please confirm before you order.
- Please order by minimum package quantity.
- 以上包裝標準可能會與實際的包裝數量有所不同，請在訂購前確認。
- 請以最小包裝數量訂購。

Note: All design and specifications are for reference only and is subject to change without prior notice. If any doubt about safety for your application, please contact us immediately for technical assistance before purchase.

注: 以上所提供的設計及特性參數僅供參考，任何修改不作預先通知。如果在使用上有疑問，請在採購前與我們聯繫，以便提供技術上的協助。

CAT.2019/V4